

## Soho - 24"

## Specification & Installation Guide

### Features

- Free standing 24" vanity : 33-1/2" (852mm)H x 18"(458mm)D x 23-5/8" (600mm)W
- Furniture grade plywood layered with solid wood veneer and protected with several coats of polyurethane (No particle board or MDF used).
- Matching finish inside out
- Two fully adjustable drawers with full-extension soft-close European hardware.
- Top drawer with tempered glass retainer.
- Bottom drawer includes adjustable tempered glass dividers and retainers.
- Handle option: Polished chrome or brushed nickel.
- Feet option: 4 L-feet or 2 S-feet in polished chrome or brushed nickel.

### Top/Basin options

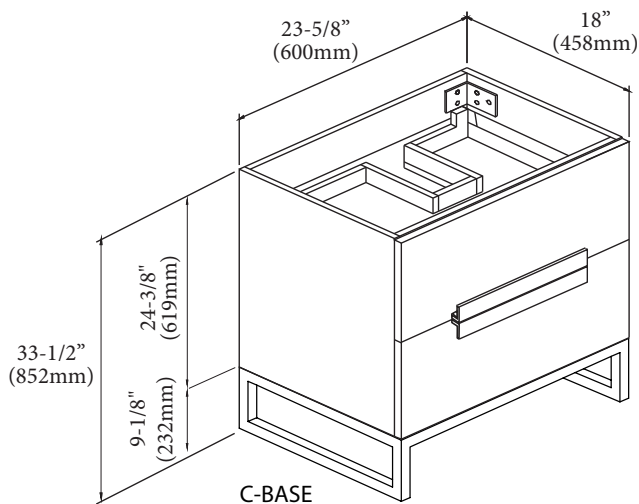
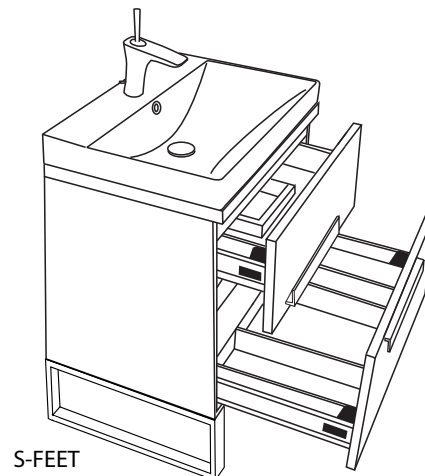
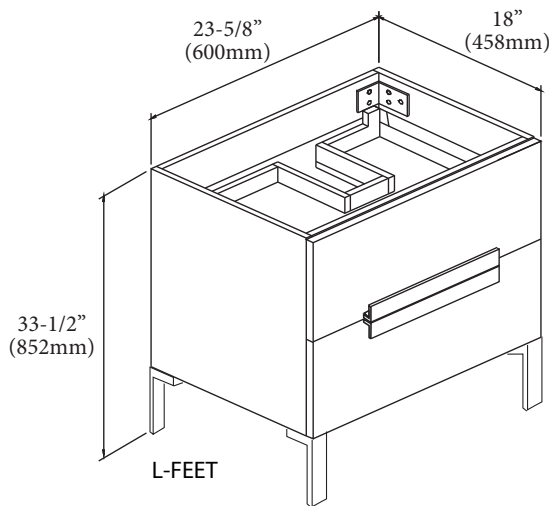
- Quartzstone™ top & white under mount ceramic basin
- Glossy White X-Stone top/basin
- Ceramic basin
- Tempered glass top/basin
- Glossy or Matte White X-Stone flat countertop

### Package Dimensions

26" x 21" x 28"

### Weight

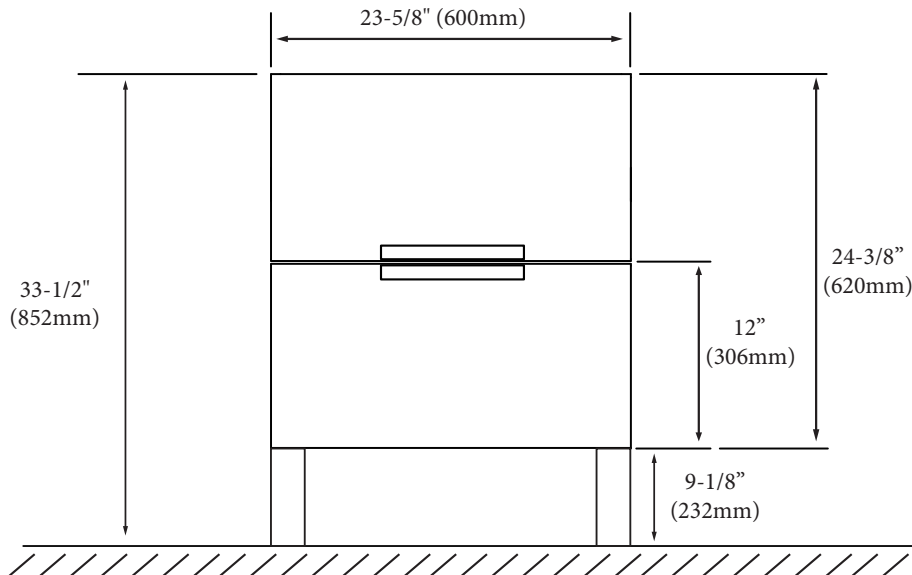
115 lbs. / 52 kgs



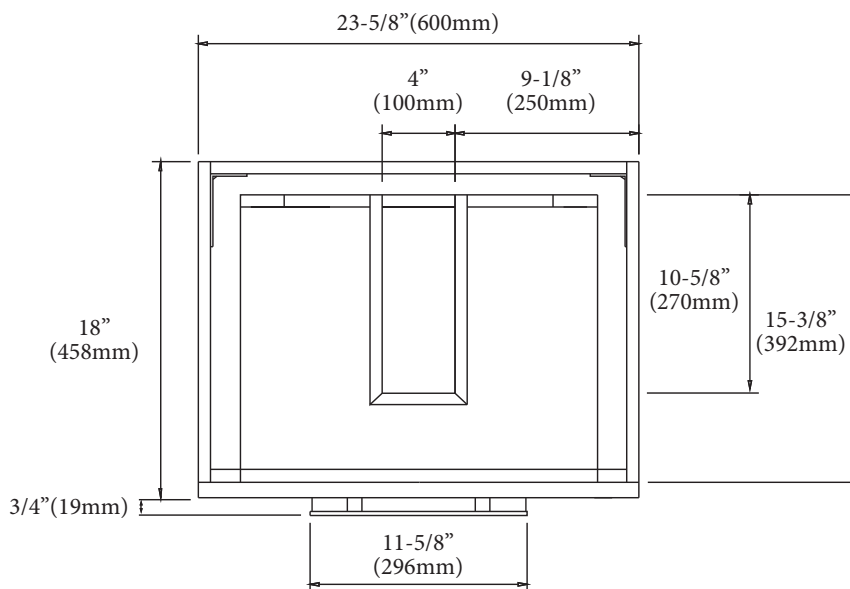
## Soho - 24"

## Specification & Installation Guide

### FRONT VIEW

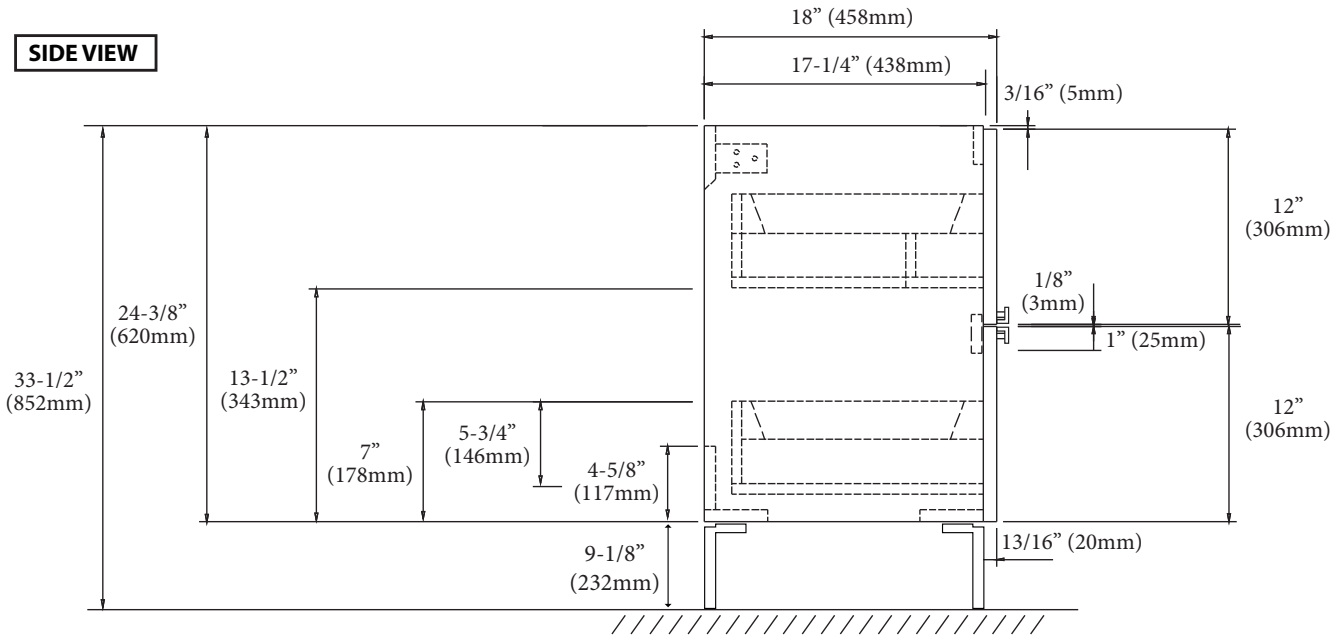


### TOP VIEW

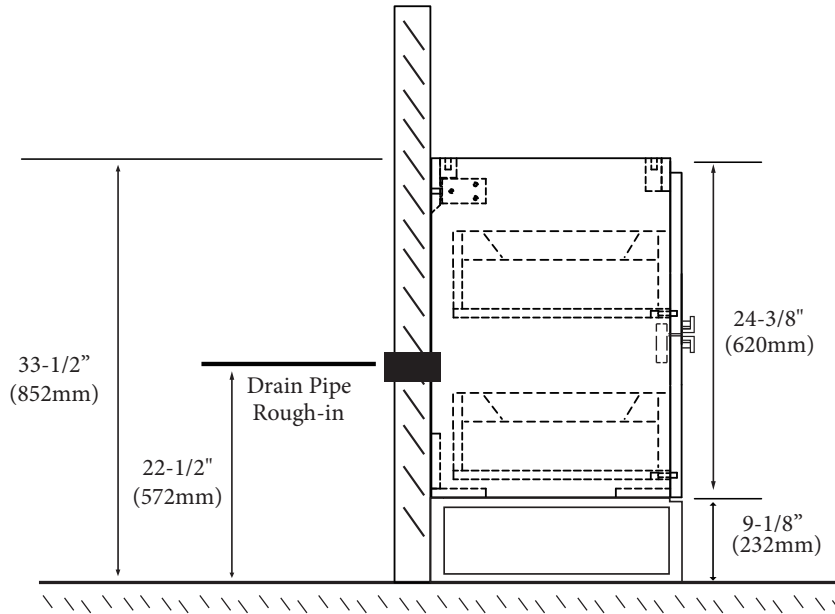


**Soho - 24"** **Specification & Installation Guide**

**SIDE VIEW**



**ROUGH-IN DIMENSIONS**



**For clarification, please contact Madeli Customer Care at (800)-819-6988 or (305)-718-8817 Ext. 1**  
All dimensions are approximate and subject to standard tolerance. Specifications subject to change without prior notice.

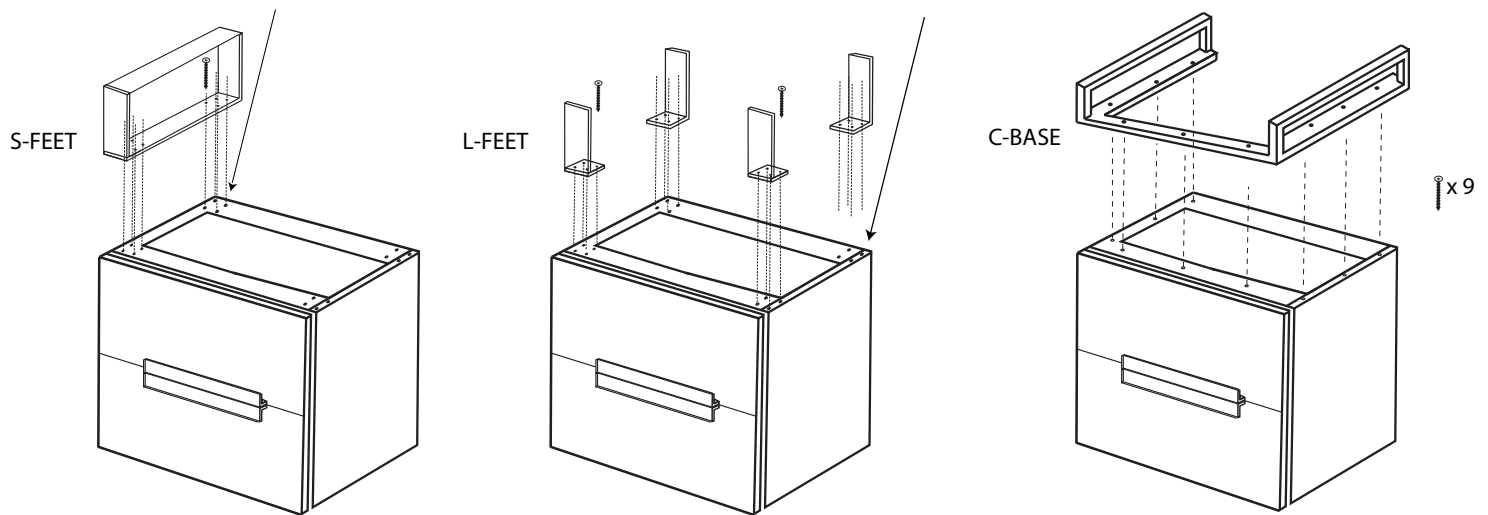
## Soho - 24"

## Specification & Installation Guide

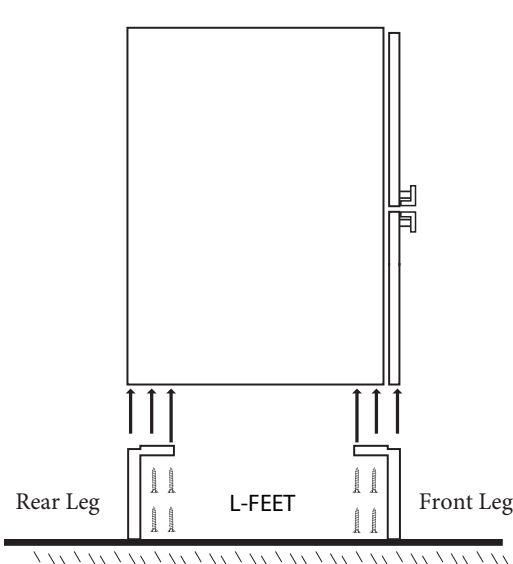
### INSTALLATION INSTRUCTIONS

#### 1. Install legs

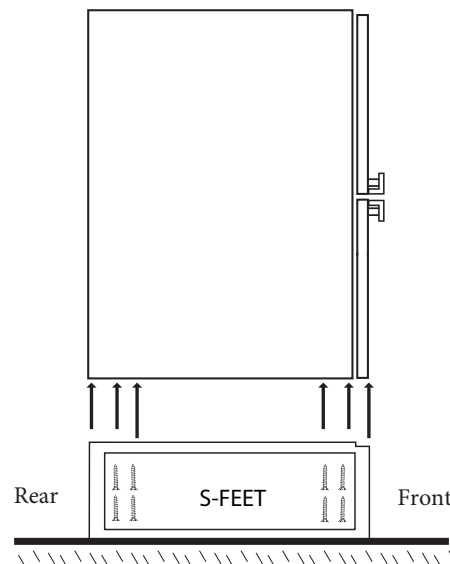
1. Place feet in indicated positions.
2. Mark screw locations.
3. Pre-drill holes with 5/64, 3/32 or 7/64 drill bit about 1/2" deep.
4. **DO NOT OVER TIGHTEN THE SCREWS. DOING SO WILL SPLIT THE WOOD SIDE PANEL.**
5. If using a regular battery drill, set clutch to minimum and increase setting as needed.
6. **DO NOT USE AN IMPACT DRILL. IT WILL SPLIT THE WOOD SIDE PANEL.**



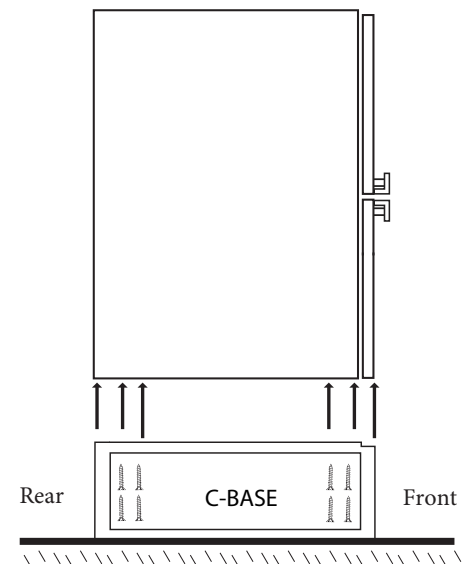
#### 2. L-Feet installation



#### 3. S-Feet installation



#### 4. C-BASE installation



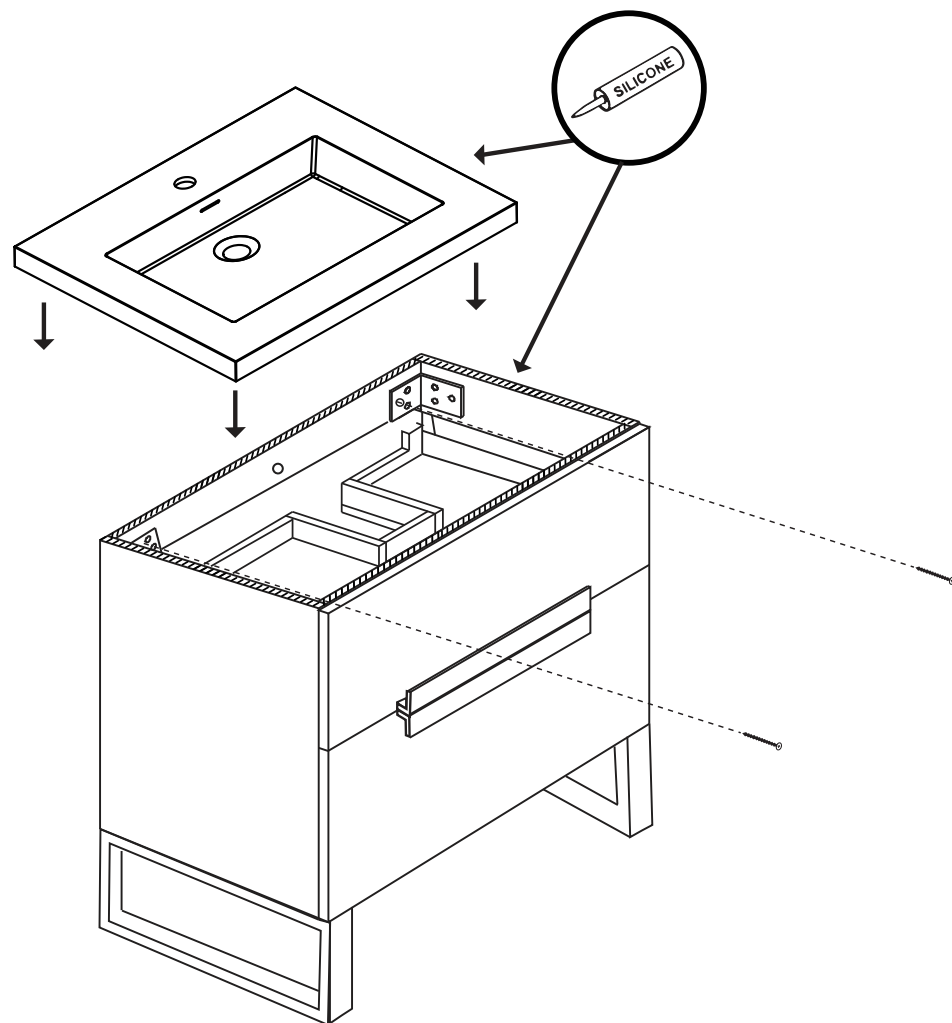
For clarification, please contact Madeli Customer Care at (800)-819-6988 or (305)-718-8817 Ext. 1

All dimensions are approximate and subject to standard tolerance. Specifications subject to change without prior notice.

04 | Page

## CABINET PLACEMENT & INSTALLATION - SECURE CABINET TO WALL

- 1) Level cabinet in position
- 2) Secure cabinet with screws in drywall studs
- 3) Install countertop with silicone



For clarification, please contact Madeli Customer Care at (800)-819-6988 or (305)-718-8817 Ext. 1  
All dimensions are approximate and subject to standard tolerance. Specifications subject to change without prior notice.

05 | Page